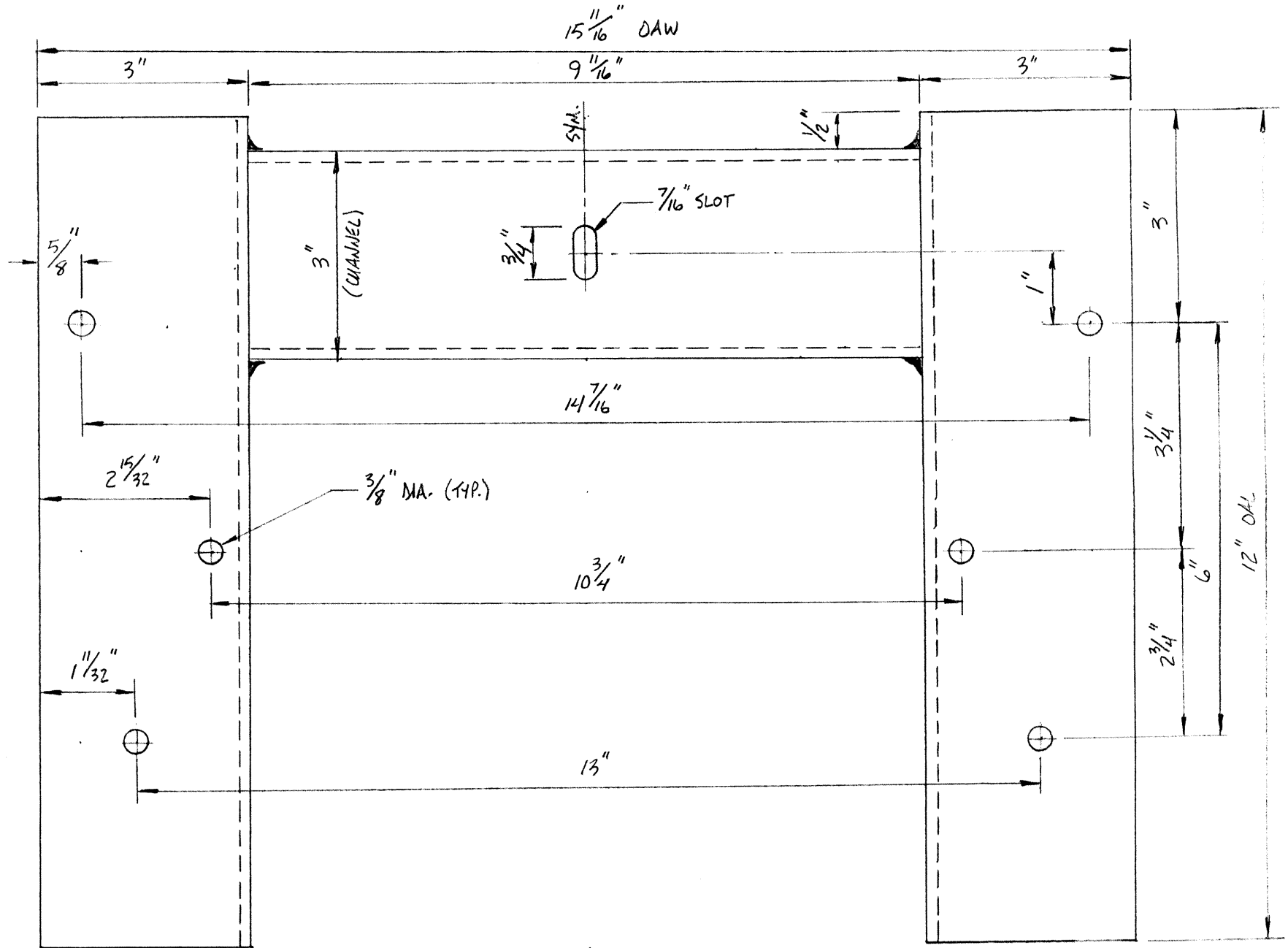
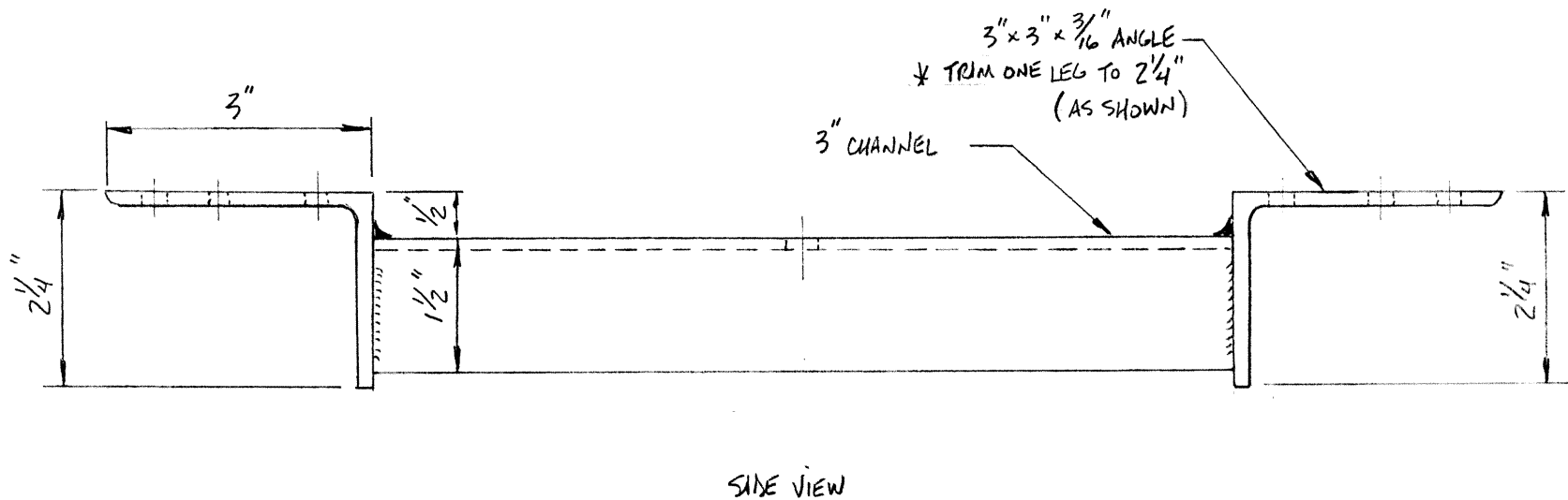


1/2" SCALE



Design and Drawing by David Manzo

CAUTION - THIS DESIGN IS AN UNTESTED PROTOTYPE ONLY!
AUTHOR WILL NOT BE HELD LIABLE IN ANY WAY FOR ANY USE OR APPLICATION OF THIS DESIGN.



Design and Drawing by David Manzo

CAUTION - THIS DESIGN IS AN UNTESTED PROTOTYPE ONLY!
AUTHOR WILL NOT BE HELD LIABLE IN ANY WAY FOR ANY USE OR APPLICATION OF THIS DESIGN.